

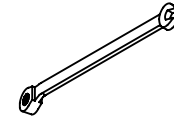
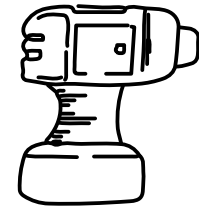
ISO7380.2 M6X12

+

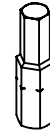


DIN6923 M6

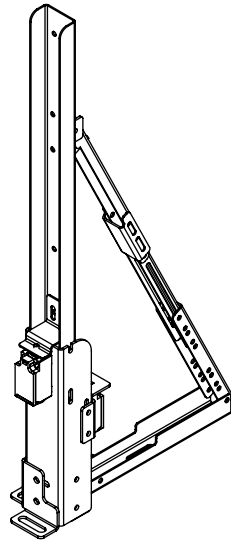
= x 12



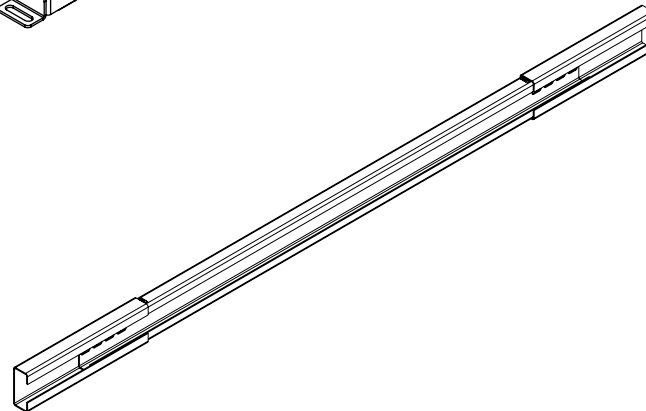
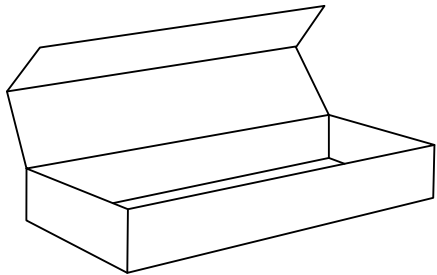
Hex
10 mm



Hex key 4



= x 2



= x 2

